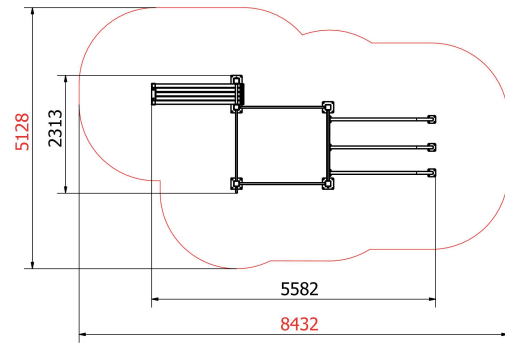
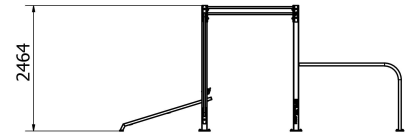


PRODUCT NAME
ROG Single Rack

PRODUCT CODE
ROG-R1d+



SEGMENTS

Basic information

Brand
Usage exercise, stretching, strengthening

Technical Specification

Dimensions ---
Critical fall height (HIC in m) 0.00m
Color scale RAL Palette
Stand count 8
Surface
 A) sprayed zinc base + komaxit 120μ B) hot dip galvanization + komaxit 120μ

Materials	Diameter	Width
Dips	51mm	4,5mm
Bars	33,7mm	3,5 - 4,5mm
Pillar (square plan)	100mm	4,0mm

Recommended flooring

Optimal dimensions 8.5m x 5.2m
Floor surface Concrete slab + EPDM or concrete feet + loose material

Company Enuma Elis s.r.o. always recommends installation in accord with the safety norm 16:630

Delivery and installation

Lead time 5 - 8 weeks
Standards EN16:630