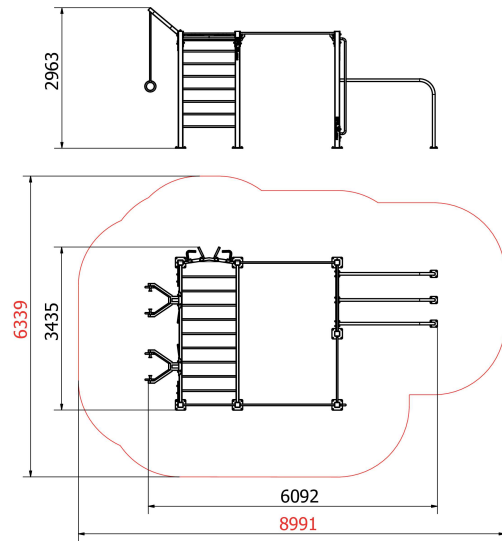


PRODUCT NAME

Nippur S Freestyle

PRODUCT CODE

N01F



DESCRIPTION

With this park limited budget won't stand in your way. Nippur S freestyle can host up to 13 sportsmen at the same time. All of its components are dynamically linked so you can switch from classic workout to bar freestyle without hesitation. The workout experience can be further improved with an extra module called minirack or some of our special benches.

SEGMENTS

Basic information

Brand RVL13
Usage exercise, stretching, strengthening

Technical Specification

Dimensions ---
Critical fall height (HIC in m) 0.00m
Color scale RAL Palette
Stand count 14+
Surface
A) sprayed zinc base + komaxit 120µ B) hot dip galvanization + komaxit 120µ

Materials	Diameter	Width
Dips	51mm	4,5mm
Bars	33,7mm	3,5 - 4,5mm
Pillar (square plan)	100mm	4,0mm

Recommended flooring

Optimal dimensions 9m x 6.4m
Floor surface Concrete slab + EPDM or concrete feet + loose material
Company Enuma Elis s.r.o. always recommends installation in accord with the safety norm 16:630

Delivery and installation

Lead time 5 - 8 weeks
Standards EN16:630